

maxO₂[®]₊



MAXO₂[®]+A/AE INDUSTRIAL GUIDE & OPERATING INSTRUCTIONS





Maxtec
6526 South Cottonwood Street
Salt Lake City, Utah 84107
USA

TEL (800) 748.5355
FAX (801) 270.5590
email: sales@maxtec.com
website: www.maxtec.com

Classification

Protection against electric shock:	Internally powered equipment.
Protection against water:	IPX1
Mode of Operation:	Continuous



Do not throw away. Dispose of properly in accordance with local regulations.

WARRANTY

The **MAXO₂+** Analyzer is designed for medical oxygen delivery equipment and systems. Under normal operating conditions, Maxtec warrants the **MAXO₂+** Analyzer to be free from defects of workmanship or materials for a period of 2-years from the date of shipment from Maxtec, provided that the unit is properly operated and maintained in accordance with Maxtec's operating instructions. Based on Maxtec product evaluation, Maxtec's sole obligation under the foregoing warranty is limited to making replacements, repairs, or issuing credit for equipment found to be defective. This warranty extends only to the buyer purchasing the equipment directly from Maxtec or through Maxtec's designated distributors and agents as new equipment.

Maxtec warrants **MAXO₂+** oxygen sensor in the **MAXO₂+** Analyzer to be free from defects in material and workmanship for a period of 2-years from Maxtec's date of shipment in a **MAXO₂+** unit. Should a sensor fail prematurely, the replacement sensor is warranted for the remainder of the original sensor warranty period.

Routine maintenance items, such as batteries, are excluded from warranty. Maxtec and any other subsidiaries shall not be liable to the purchaser or other persons for incidental or consequential damages or equipment that has been subject to abuse, misuse, mis-application, alteration, negligence or accident.

These warranties are exclusive and in lieu of all other warranties, expressed or implied, including warranty of merchantability and fitness for a particular purpose.

PREFACE

This manual describes the function, operation and maintenance of the **MAXO₂⁺** hand-held oxygen analyzer. A member of Maxtec's **MAXO₂** analyzer line of oxygen analyzers and monitors, the **MAXO₂⁺** utilizes the MAX-250+ oxygen sensor and is engineered for long life, maximum reliability and stable performance.

NOTE: In order to obtain optimum performance from your MAXO₂⁺ analyzer, all operation and maintenance must be performed in accordance with this manual. Please read the manual thoroughly before using the analyzer and do not attempt any repair or procedure that is not described herein. Maxtec cannot warrant any damage resulting from misuse, unauthorized repair or improper maintenance of the instrument.

Thank You

Thank you for your purchase of a Maxtec **MAXO₂⁺** oxygen analyzer. We appreciate the time and energy you invest in selecting the equipment best suited to your needs. As exchange, we are supplying you with a reliable, high-quality instrument that, with proper care and operation, will provide you with years of exceptional service. We also encourage your comments or suggestions as to how our equipment, in any way, can better serve your needs. Please feel free to write, FAX or e-mail us at the address on page ii of this manual c/o the Maxtec Marketing Department. Please visit our website www.maxtec.com for more information on our products and services.



WARNING:

Never allow an excess length of tubing, lanyard, or sensor cable near a person's head or neck, which may result in strangulation.

Before use, all individuals who will be using the **MAXO₂⁺** must become thoroughly familiar with the information contained in this Operation Manual. Strict adherence to the operating instructions is necessary for safe, effective product performance. This product will perform only as designed if installed and operated in accordance with the manufacturer's operating instructions.

Use only genuine Maxtec® accessories and replacement parts. Failure to do so may seriously impair the analyzer's performance. Repair or alteration of the **MAXO₂⁺** beyond the scope of the maintenance instructions, or by anyone other than an authorized Maxtec® service person, could cause the product to fail to perform as designed.

Calibrate the **MAXO₂⁺** weekly when in operation, or if environmental conditions change significantly. (ie. Elevation, Temperature, Pressure, Humidity — refer to Section 4.0 of this manual).

Use of the **MAXO₂⁺** near devices that generate electrical fields may cause erratic readings.

If the **MAXO₂⁺** is ever exposed to liquids (from spills or immersion) or to any other physical abuse, turn the instrument OFF and then ON. This will allow the unit to go through its self test to assure everything is operating correctly. You may need to allow the sensor time to dry out.

Never immerse or expose the **MAXO₂⁺** (including sensor) to high temperatures (>70°C). Never expose the device to pressure, irradiation vacuum, steam, or chemicals.

NOTE: Replace the batteries with recognized high quality AA Alkaline or Lithium batteries.

NOTE: If the unit is going to be stored (not in use for 1 month), we recommend that you remove the batteries to protect the unit from potential battery leakage.

FAILURE TO COMPLY WITH THESE WARNINGS AND CAUTIONS COULD RESULT IN INSTRUMENT DAMAGE AND POSSIBLY JEOPARDIZE THE WELL BEING OF THE USER.

Safety Labeling

The following symbols and safety labels are found on the **MAXO₂⁺**:



Follow instructions for use.



Warning



Meets ETL standards



Do not throw away. Follow local guidelines for disposal.



Calibration required



Lot code/Batch code



Serial Number



On/off Button



Calibration Button



Low Battery



Percent



Manufacturer



Catalog Number



Do Not

TABLE OF CONTENTS

Classification	ii
Warranty	ii
Warnings	iii
Safety Symbols	v
1.0 SYSTEM OVERVIEW	1
1.1 Base Unit Description	1
1.2 Component Identification	2
1.3 Component Description	2
1.4 MAX-250 Oxygen Sensor	3
2.0 OPERATING INSTRUCTIONS	3
2.1 Getting Started	3
2.1.1 Protect Tape	3
2.1.2 Automatic Calibration	3
2.2 Calibrating the MAXO ₂ ⁺ Oxygen Analyzer	4
2.3 Operation with OxyKnob Adapter	5
2.4 Operation with BC Adapter	6
3.0 GAS SAMPLE OPTIONS	7
4.0 FACTORS INFLUENCING ACCURATE READINGS	8
4.1 Elevation Changes	8
4.2 Temperature Effects	8
4.3 Pressure Effects	8
4.4 Humidity Effects	8
5.0 CALIBRATION ERRORS AND ERROR CODES	9
6.0 CHANGING THE BATTERIES	10
7.0 CHANGING THE OXYGEN SENSOR	11
7.1 MAXO ₂ ⁺ A Model	11
7.2 MAXO ₂ ⁺ AE Model	12
8.0 CLEANING AND MAINTENANCE	12
9.0 SPECIFICATIONS	13
9.1 Base Unit Specifications	13
9.2 Sensor Specifications	14
10.0 MAXO₂⁺ SPARE PARTS AND ACCESSORIES	14
10.1 Included With Your Unit	14
10.2 Standard Replacement Parts	14
10.3 Optional Accessories	14
10.3.1 Optional Adapters	14
10.3.2 Mounting Options	15
10.3.3 Carrying Options	15

1.0 SYSTEM OVERVIEW

1.1 Base Unit Description

The **MAXO₂⁺** analyzer provides unparalleled performance and reliability due to an advanced design that includes the following features and operational benefits.

- Extra-life oxygen sensor of approximately 1,500,000 O₂ percent hours (2-year warranty)
- Durable, compact design that permits comfortable, hand-held operation and easy to clean.
- Operation using only two AA Alkaline batteries (2 x 1.5 Volts) for approximately 5000 hours of performance with continuous use. For extra extended long life, two AA Lithium batteries may be used.
- Oxygen-specific, galvanic sensor that achieves 90% of final value in approximately 15 seconds at room temperature.
- Large, easy-to-read, 3 1/2-digit LCD display for readings in the 0-100% range.
- Simple operation and easy one-key calibration.
- Self-diagnostic check of analog and microprocessor circuitry.
- Low battery indication.
- Calibration reminder timer that alerts the operator, using a calibration icon on the LCD display, to perform a unit calibration.

1.2 Component Identification

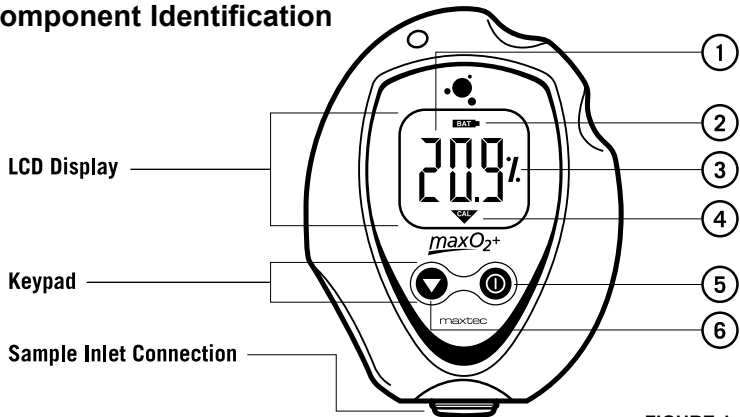






FIGURE 1

1.3 Component Description

- 3 1/2-Digit Display** - The 3 1/2 digit liquid crystal display (LCD) provides direct readout of oxygen concentrations in the range of 0 - 105.0% (100.1% - 105.0% used for calibration determination purposes). The digits also display error codes and calibration codes as necessary.
- Low Battery Indicator** - The low battery indicator is located at the top of the display and is only activated when the voltage on the batteries is below a normal operating level.
- “%” symbol** - The “%” sign is located to the right of the concentration number and is present during normal operation.
- Calibration symbol** -  The calibration symbol is located at the bottom of the display and is timed to activate when a calibration is necessary.
- ON/OFF Key**  This key is used to turn the device on or off.
- Calibration Key**  This key is used to calibrate the device. Holding the key for more than three seconds will force the device to enter a calibration mode.

 **CAUTION: The device will assume a percent oxygen concentration when calibrating. Be sure to apply 100% oxygen, or ambient air concentration to the device during calibration or the device will not calibrate correctly.**

Sample Inlet Connection

This is the port at which the device is connected to determine oxygen concentration.

1.4 MAX-250+ Oxygen Sensor

The MAX-250+ oxygen sensor offers stability and extra life.

The MAX-250+ is a galvanic, partial pressure sensor that is specific to oxygen. It consists of two electrodes (a cathode and an anode), a teflon membrane and an electrolyte. Oxygen diffuses through the teflon membrane and immediately reacts at a gold cathode. Concurrently, oxidation occurs electrochemically at the lead anode, generating an electrical current and providing a voltage output. Electrodes are immersed in a unique gelled weak acid electrolyte which is responsible for the sensors long life and motion insensitive characteristic. Since the sensor is specific to oxygen, the current generated is proportional to the amount of oxygen present in the sample gas. When no oxygen is present, there is no electrochemical reaction and therefore, negligible current is produced. In this sense, the sensor is self-zeroing.



CAUTION: The Maxtec MAX-250+ oxygen sensor is a sealed device containing a mild acid electrolyte, lead (Pb), and lead acetate. Lead and lead acetate are hazardous waste constituents and should be disposed of properly, or returned to Maxtec for proper disposal or recovery.



CAUTION: Do not immerse the sensor in any cleaning solution, autoclave or expose the sensor to high temperatures.



CAUTION: Dropping sensor can adversely affect its performance.



Do not throw away. Dispose of properly in accordance with local regulations.

2.0 OPERATING INSTRUCTIONS


2.1 Getting Started

2.1.1 Protect Tape

Prior to turning on the unit, a protective film covering the threaded sensor face must be removed. After removing the film, wait approximately 20 minutes for the sensor to reach equilibrium.

2.1.2 Automatic Calibration

After the unit is turned on it will automatically calibrate to room air. The display should be stable and reading 20.9%. To check the oxygen concentration of a sample gas: (after the unit has been calibrated).

1. Connect the Tygon tubing to the bottom of the analyzer by threading the barbed adapter onto the oxygen sensor. (**figure 2**)
2. Attach the other end of the sample hose to the sample gas source and initiate flow of the sample to the unit at a rate of 1-10 liters per minute (2 liters per minute is recommended).
3. Using the “ON/OFF”  key, make sure the unit is in the power “ON” mode.
4. Allow the oxygen reading to stabilize. This will normally take about 30 seconds or more.

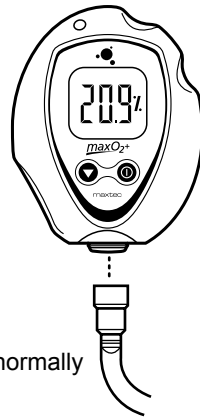




FIGURE 2

2.2 Calibrating the MAXO₂⁺ Oxygen Analyzer

The **MAXO₂⁺** Analyzer should be calibrated upon initial power-up. Thereafter, Maxtec® recommends calibration on a weekly basis. To serve as a reminder, a one week timer is started with each new calibration. At the end of one week a reminder icon “” will appear on the bottom of the LCD. Calibration is recommended if the user is unsure when the last calibration procedure was performed, or if the measurement value is in question.

Start calibration by pressing the  button for more than 3 seconds. The **MAXO₂⁺** will automatically detect if you are calibrating with 100% or 20.9% oxygen (normal air). Do not attempt to calibrate to any other concentration.

100% O₂ verification, new calibration is required when:

- The measured O₂ percentage in 100% O₂ is below 99.0% O₂.
- The measured O₂ percentage in 100% O₂ is above 101.0% O₂.
- The CAL reminder Icon is blinking at the bottom of the LCD.
- If you are unsure about the displayed O₂ percentage. (see Factors influencing accurate readings.)

Compressed air (20.9% O₂), new calibration is required when:

- The measured O₂ percentage in 20.9% O₂ is below 19.9% O₂.
- The measured O₂ percentage in 20.9% O₂ is above 21.9% O₂.
- The CAL reminder Icon is blinking at the bottom of the LCD.
- If you are unsure about the displayed O₂ percentage. (see Factors influencing accurate readings.)

Calibrate with the same type of circuit and flow that you will use when taking your readings.

A simple calibration may be made with the sensor open to static Ambient air. For optimum accuracy Maxtec recommends that the Sensor be placed in a closed loop circuit where gas flow is moving across the sensor in a controlled manner.

2.3 Operation with Oxyknob Adapter (refer to figure below)

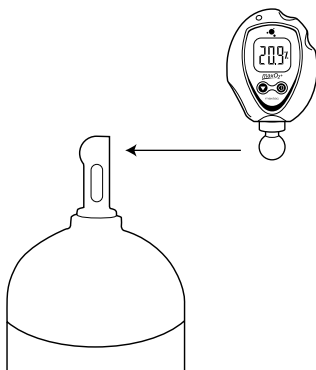
1. Attach the Oxyknob adaptor to the threaded sensor of your Maxtec Analyzer.
2. Hand tighten until sensor o-ring seals against the Oxyknob.
3. Slowly crack open the tank. Listen for a slight hissing sound.
4. Hold the Oxyknob up to the outlet of the tank.
5. Align the small hole in the bottom or side of the Oxyknob to the hole in the outlet of the tank.
6. Hold the analyzer in place until the reading has stabilized on the analyzer display. (about 15 seconds or less)
7. Remove Oxyknob after reading and close valve on the tank.

WARNING:


High gas pressures may cause damage to oxygen sensor and result in incorrect readings. Turn down the tank valve as much as possible to avoid sensor damage.

 Do not cover the larger holes on the Oxyknob.

Cold gas exiting a pressurized tank can cause the sensor reading to drift if exposed for an extended period of time. Allow sensor to warm between readings if necessary.



2.4 Operation with Optional BC Adapter (refer to figure below)

1. Attach the included Barbed Adapter to the **MAXO₂⁺** by threading it on to the bottom of the sensor.
2. Connect the included tubing to the barbed adapter.
3. Attach the BC adapter (sold separately) to the other end of the tube.
4. Connect the inflator hose on the regulator to the BC adapter and tube.
5. If the **MAXO₂⁺** is not already turned on, do so now by pressing the analyzer “ON”  button.
6. Initiate flow of nitrox to the unit to allow the gas to saturate the sensor. The BC adapter will regulate the optimum flow and pressure. Although a stable value is usually observed within 30 seconds, allow at least two minutes to ensure that the sensor is completely saturated with the gas.
7. The analyzer will now look for a stable sensor signal and a good reading. When obtained, the analyzer will display the oxygen percentage on the LCD.

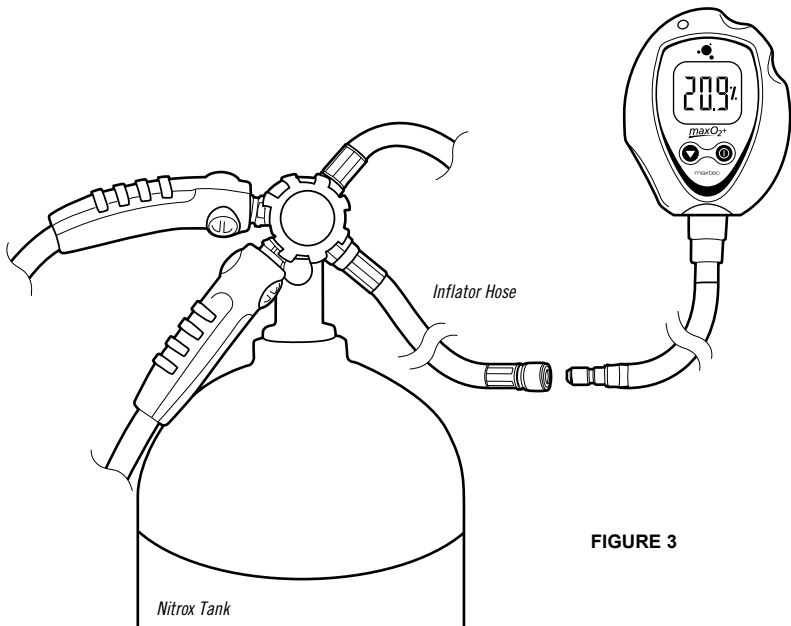
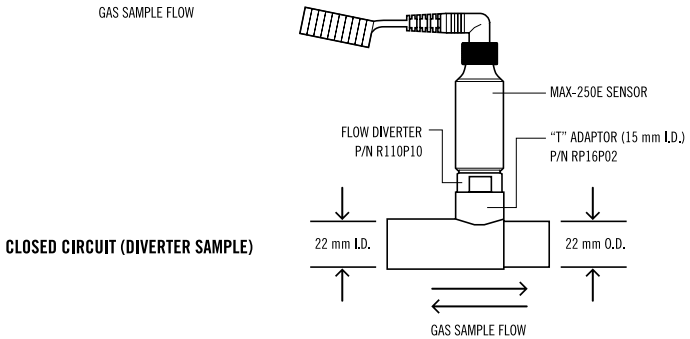
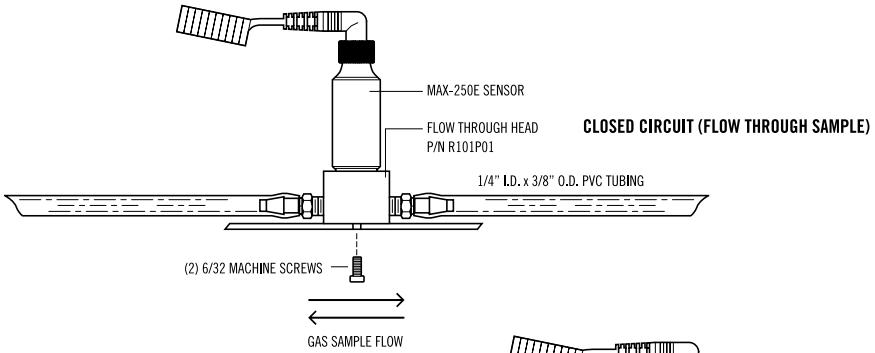
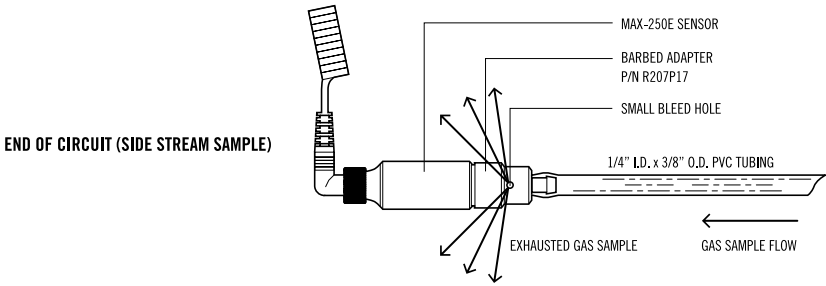
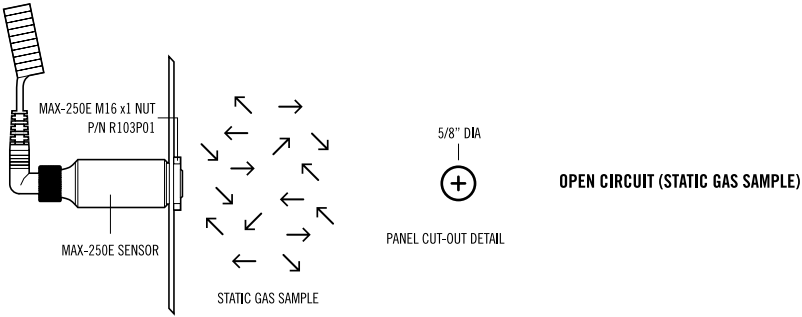


FIGURE 3

3.0 GAS SAMPLE OPTIONS



4.0 FACTORS INFLUENCING ACCURATE READINGS

4.1 Elevation Changes

- Changes in elevation result in a reading error of approximately 1% of reading per 250 feet.
- In general, calibration of the instrument should be performed when elevation at which the product is being used changes by more than 500 feet.

4.2 Temperature Effects

The **MAXO₂⁺** will hold calibration and read correctly within $\pm 3\%$ when in thermal equilibrium within the operating temperature range. The device must be thermally stable when calibrated and allowed to thermally stabilize after experiencing temperature changes before readings are accurate. For these reasons, the following is recommended:

- For best results, perform the calibration procedure at a temperature close to the temperature where analysis will occur.
- Allow adequate time for the sensor to equilibrate to a new ambient temperature.



CAUTION: “CAL Err St” may result from a sensor that has not reached thermal equilibrium.

4.3 Pressure Effects

Readings from the **MAXO₂⁺** are proportional to the partial pressure of oxygen. The partial pressure is equal to the concentration times the absolute pressure. Thus, the readings are proportional to the concentration if the pressure is held constant. Therefore, the following are recommended:

- Calibrate the **MAXO₂⁺** at the same pressure as the sample gas.
- If sample gases flow through tubing, use the same apparatus and flow rates when calibrating as when measuring.
- The **MAXO₂⁺** oxygen sensor has been tested at pressures up to two atmospheres absolute. Calibration or operation above this pressure is beyond the intended use.

4.4 Humidity Effects

Humidity (non-condensing) has no effect on the performance of the **MAXO₂⁺**

other than diluting the gas, as long as there is no condensation. Depending on the humidity, the gas may be diluted by as much as 4%, which proportionally reduces the oxygen concentration. The device responds to the actual oxygen concentration rather than the dry concentration. Environments where condensation may occur are to be avoided since moisture may obstruct passage of gas to the sensing surface, resulting in erroneous readings and slower response time. For this reason, the following is recommended:

- Avoid usage in environments greater than 95% relative humidity.

HELPFUL HINT: Dry sensor by lightly shaking moisture out, or flow a dry gas at two liters per minute across the sensor membrane.

5.0 CALIBRATION ERRORS AND ERROR CODES


The **MAXO₂⁺** analyzers have a self test feature built into the software to detect faulty calibrations, oxygen sensor failures, and low operating voltage. These are listed below, and include possible actions to take, if an error code occurs.

E02: No sensor attached

MAXO₂⁺A: Open unit and disconnect and reconnect sensor. Unit should perform an auto calibration and should read 20.9%. If not, contact Maxtec Customer Service for possible sensor replacement.

MAXO₂⁺AE: Disconnect and reconnect external sensor. Unit should perform an auto calibration, and should read 20.9%. If not, contact Maxtec Customer Service for possible sensor replacement or cable replacement.

E03: No valid calibration data available

Make sure unit has reached thermal equilibrium. Press and hold the Calibration Button  for three seconds to manually force a new calibration.

E04: Battery below minimum operating voltage

Replace batteries.

CAL Err St: O2 Sensor reading not stable

Wait for displayed oxygen reading to stabilize, when calibrating the device at 100% oxygen.


Wait for unit to reach thermal equilibrium (Please note that this can take up to one half hour, if the device is stored in temperatures outside the specified operating temperature range).

CAL Err Io: Sensor voltage too low

Press and hold the Calibration Button  for three seconds to manually force a new calibration. If unit repeats this error more than three times,

contact Maxtec Customer Service for possible sensor replacement.

CAL Err hi: Sensor voltage too high

Press and hold the Calibration Button  for three seconds to manually force a new calibration. If unit repeats this error more than three times, contact Maxtec Customer Service for possible sensor replacement.

CAL Err Bat: Battery voltage too low to recalibrate

Replace batteries

6.0 CHANGING THE BATTERIES

Batteries should be changed by service personnel.

- Use only brand name batteries.
- Replace with two AA batteries and insert per orientation marked on the device.

Should the batteries require changing, the device will indicate this in one of two ways:

- The battery icon on the bottom of the display will begin to flash. This icon will continue to flash until the batteries are changed. The unit will continue to function normally for approx. 200 hours.
- If the device detects a very low battery level, an error code of “E04” will be present on the display, and the unit will not function until the batteries are changed.

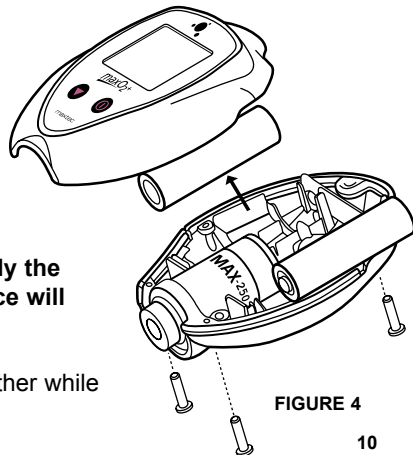
To change the batteries, begin by removing the three screws from the back of the device. A #1 phillips screwdriver is required to remove these screws.

Once the screws are removed, gently separate the two halves of the device.

The batteries can now be replaced from the back half of the case. Be sure to orient the new batteries as indicated in the embossed polarity on the back case.

NOTE: If the batteries are installed incorrectly the batteries will not make contact and the device will not operate.

Carefully, bring the two halves of the case together while



positioning the wires so they are not pinched between the two case halves. The gasket separating the halves will be captured on the back case half.

Reinsert the three screws and tighten until the screws are snug. **(figure 4)**

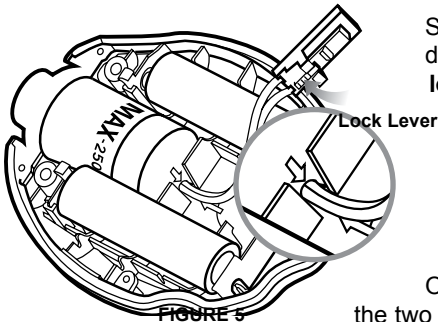
The device will automatically perform a calibration and begin displaying % of oxygen.

HELPFUL HINT: If unit does not function, verify that the screws are tight to allow proper electrical connection.

HELPFUL HINT (MAXO₂+ AE): Before closing the two case halves together, verify that the keyed slot on top of the coiled cable assembly is engaged on the small tab located on the back case. This is designed to position the assembly in the correct orientation and prevent it from rotating. Improper positioning could hinder the case halves from closing and prevent operation when tightening the screws.

7.0 CHANGING THE OXYGEN SENSOR

7.1 MAXO₂+A Model



Should the oxygen sensor require changing, the device will indicate this by presenting “**Cal Error**” on the display after initiating a calibration.

To change the oxygen sensor, begin by removing the three screws from the back of the device. A #1 Phillips screwdriver is required to remove these screws.

Once the screws are removed, gently separate the two halves of the device.

Disconnect the oxygen sensor from the printed circuit board by pressing the un-lock lever first and then pulling the connector out of the receptacle.

The oxygen sensor can now be replaced from the back half of the case.

HELPFUL HINT: Be sure to orient the new sensor by aligning the red arrow on the sensor with the arrow in the back case. A small tab is located on the back case that is designed to engage the sensor and prevent it from rotating within the case. (figure 5)

NOTE: If the oxygen sensor is installed incorrectly, the case will not come back together and the unit may be damaged when the screws are reinstalled.

Note: if the new sensor has red tape over the outside, remove it and wait 30 minutes before calibrating.

Reconnect the oxygen sensor to the connector on the printed circuit board.

Carefully bring the two halves of the case together while positioning the wires to ensure they are not pinched between the two case halves. Make sure the sensor is fully inserted and in the proper orientation.

Reinsert the three screws and tighten until the screws are snug. Verify the unit operates properly.

The device will automatically perform a calibration and begin displaying % of oxygen.

7.2 MAXO₂+AE Model

Should the oxygen sensor require changing, the device will indicate this by presenting “**Cal Err Io**” on the display.

Unthread the sensor from the cable by rotating the thumbscrew connector counterclockwise and pull the sensor from the connection.

Replace the new sensor by inserting the electrical plug from the coiled cord into the receptacle on the oxygen sensor. Rotate the thumbscrew clockwise until snug.

The device will automatically perform a calibration and begin displaying % of oxygen.

8.0 CLEANING AND MAINTENANCE

Store the **MAXO₂⁺** analyzer in a temperature similar to its ambient environment of daily use.

The instruction given below describes the methods to clean the instrument, sensor and its accessories:

Instrument

- When cleaning or disinfecting the exterior of the **MAXO₂⁺** analyzer, take appropriate care to prevent any solution from entering the instrument.
- ⊘ Do not immerse unit in fluids.

Oxygen Sensor

- Clean the sensor with a cloth moistened with a 65% alcohol/water solution.
- Mextec does not recommend use of spray disinfectants because they can

contain salt, which can accumulate in the sensor membrane and impair readings.

Accessories

- The threaded barbed adapter may be cleaned by washing them with a 65% alcohol/water solution (per manufacturer's instructions). The parts must be thoroughly dry before they are used.

Because of the variability of the cleaning processes, Maxtec cannot provide specific instructions. Therefore, we highly recommend referring to the manufacturer's instructions on the details of method.

9.0 SPECIFICATIONS

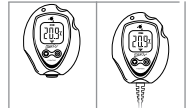
9.1 Base Unit Specifications

Measurement Range:	0-100%
Resolution:	0.1%
Accuracy and Linearity:	1% of full scale at constant temperature, R.H. and pressure when calibrated at full scale.
Total Accuracy:	±3% actual oxygen level over full operating temperature range.
Response Time:	90% of final value in approximately 15 seconds at 23°C.
Warm-up Time:	none required
Operating Temperature:	15°C - 40°C (59°F - 104°F)
Storage Temperature:	-15°C - 50°C (5°F - 122°F)
Humidity:	0-95% (non-condensing)
Power Requirements:	2, AA Alkaline batteries (2 x 1.5 Volts)
Battery Life:	approximately 5000 hours with continuous use
Low Battery Indication:	"BAT" icon displayed on LCD
Sensor Type:	Maxtec MAX-250 galvanic fuel cell
Expected Sensor Life:	>1,500,000 O ₂ percent hours minimum 2-years in typical applications
A Model Dimensions:	3.0"(W) x 4.0"(H) x 1.5"(D) [76mm x 102mm x 38mm]
A Weight:	0.4 lbs. (170g)
AE Model Dimensions:	3.0"(W) x 36.0"(H) x 1.5"(D) [76mm x 914mm x 38mm] Height includes external cable length (retracted).
AE Weight:	0.6 lbs. (285g)

9.2 Sensor Specifications

Type: Galvanic fuel sensor (0-100%)
 Life: 2-years in typical applications

10.0 MAXO₂+ SPARE PARTS AND ACCESSORIES



10.1 Included With Your Unit

Part Number	Item	A Model	AE Model
R217M42	Industrial Guide and Operating Instructions	X	X
RP76P06	Lanyard	X	X
R207P17	Threaded Adapter with Tygon Tubing	X	X
R110P10	Flow Diverter		X
R218P19	Oxyknob Adapter	X	
R217P35	Dovetail Bracket	X	

10.2 Standard Replacement Parts

Part Number	Item		
R125P02-013	MAX-250+ Internal Oxygen Sensor	X	
R125P03-004	MAX-250E External Oxygen Sensor		X
R115P85	MAX-250ESF External Oxygen Sensor		X
R217P08	Gasket	X	X
R217P09-002	Overlay	X	X
R217P11-001	Back Assembly	X	X
R217P16-002	Front Assembly (Includes Board and LCD)	X	X
R217P24	Coiled Cable Assembly		X
RP06P25	#4-40 Pan Head Stainless Steel Screw	X	X

10.3 Optional Accessories

10.3.1 Optional Adapters

Part Number	Item
RP16P02	"T" Adapter (15mm I.D.)
RP16P09	Scuba Pro Adapter
R101P01	Flow Thru Head
RP11P28	BC Adapter

10.3.2 Mounting Options (requires dovetail-R217P23)

Part Number	Item
R103P01	M16 x 1 Maxtec Nut
R205P86	Wall Mount
R213P31	Swivel Mount

10.3.3 Carrying Options

Part Number	Item
R213P02	Zipper Carrying Case with Shoulder Strap
R213P56	Water Tight Carrying Case, Large (9" x 11")
R213P90-001	Water Tight Carrying Case, Small (8" x 4")
R217P22	Belt Clip and Pin Assembly
R217P32	Soft Case, Tight Fit Carrying Case

Equipment in need of factory repair shall be sent to:

Maxtec
Service Department
6526 South Cottonwood Street
Salt Lake City, Ut 84107